

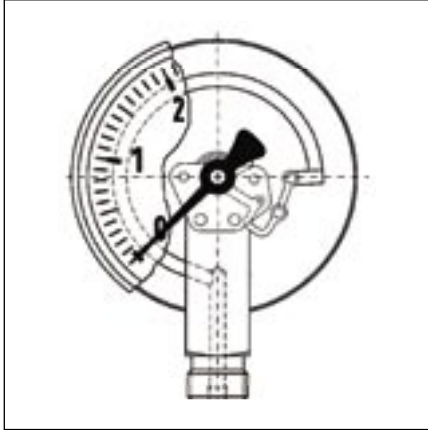


Pressure Gauges & Test Kits

**Local Solutions for
Individual Customers
Worldwide**

Stauff Pressure Gauges


SPG 63mm and 100mm



Application

For liquid media which is not highly viscous, do not crystallize and do not attack copper alloys.

For measurement in areas with high levels of vibration and high, dynamic pressure loads.

 When measuring gas or vapour, check for suitability and safety requirements in accordance with relevant Australian Standards.

Type
SPG

Nominal Size
63
100

Accuracy Class (EN 837-1/6)
1.6% of full scale 63 mm / 100 mm

Ranges (EN 837-1/5)
-1/0 to -1/+15 bar
0/0.6 to 0/1000 bar

Application Area
Static load:
 $\frac{3}{4}$ x full scale value
Dynamic load:
 $\frac{2}{3}$ x full scale value
Short term:
full scale value



SPG-63-SB



SPG-63-RB



SPG-100-SB



SPG-100-RB

Operating Temperature Range

Medium: $T_{max} = +60^{\circ}C$
Ambient: $T_{max} = -20^{\circ}C$
 $T_{max} = +60^{\circ}C$

Temperature Performance

Indication error when the temperature of the measuring element deviates from 20°C:

rising temp. approx. $\pm 0.4\%$ / 10K
falling temp. approx. $\pm 0.4\%$ / 10K
percentage of full scale value.

Protection

IP 65 (EN 60529)
with housing vent (≤ 25 bar)
IP 54

Standard Version

Connection

Brass, bottom or centre back
63mm - G $\frac{1}{4}$ BSPP - spanner size 14
100mm - G $\frac{1}{2}$ BSPP - spanner size 22
(EN 837 - 1/7.3)

Measuring Element

Bourdon tube element, copper alloy
 ≤ 60 bar "C" Type bourdon tube
> 60 bar helical tube

Movement

Brass

Dial

Aluminium, white
Dial marking black

Pointer

Aluminium, black

Housing

Stainless steel 1.4301
with pressure relief port

Crimped Bezel

Stainless steel 1.4301

Front Glass

Plastic

Filling Liquid

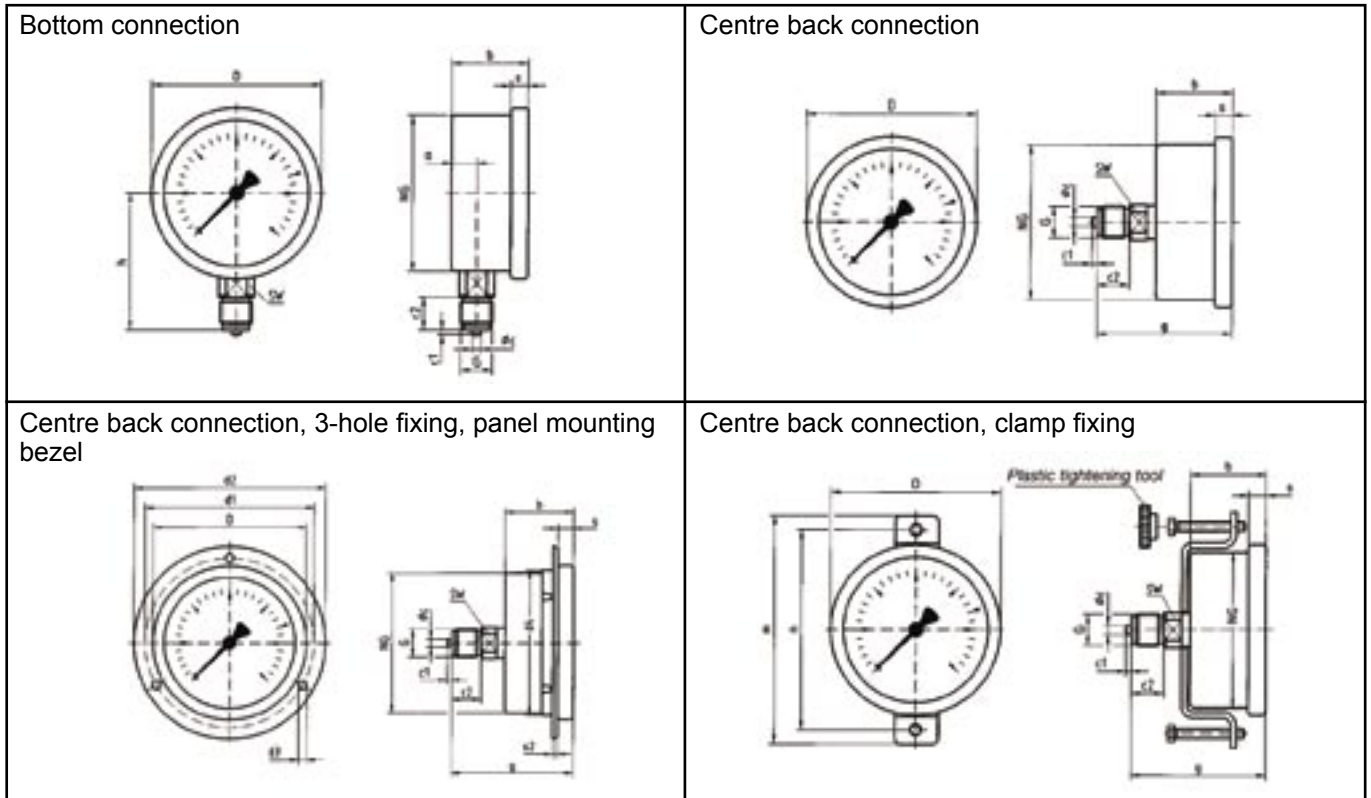
Glycerine (99.5%)

Options (refer to page 4)

- Back flange 63mm / 100mm
- Clamp fixing
- 3-hole fixing, panel mounting bezel 63mm / 100mm
- Special scales on request refer to page 5

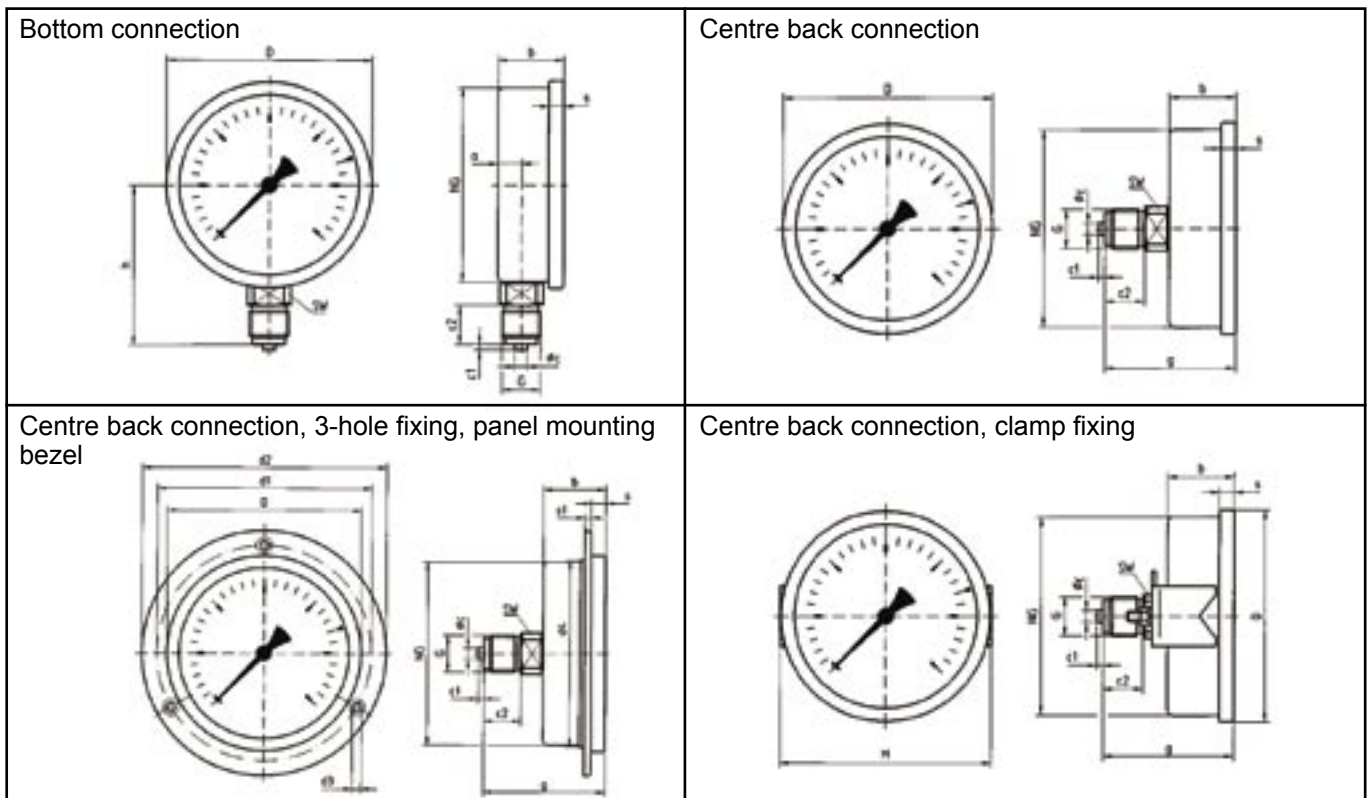
Dimensions

SPG 63mm



Nominal Size	a	a ₁	b	b ₁	Øc	c ₁	c ₂	d ₁ ⁺	d ₂	d ₃ ⁺	d ₄	D	G	g	h	m	n	s	s ₁	s ₂	SW
63 mm	9.5	13	30.5	34	5	2	13	75	85	3.6	64	68	G¼B	53.3	53	94	82	7	5.5	2	14

SPG 100mm



Nominal Size	a	b	Øc	c ₁	c ₂	d ₁	d ₂	d ₃	d ₄	D	g	G	h	M	s	s ₁	SW
100 mm	11.8	33.5	6	3	20	116	132	4.8	101	106	76.5	G½B	90	106	7	3.8	22

Ordering Codes

63mm dia., S.S. Case, 1/4"BSPP, Dual Scale - bar/psi, Bottom Entry, Stem Mount



Code	Description
SPG63(-1/+0)1-SB	-1/0 BAR(-14.5-0 PSI) COMPOUND VAC/GAUGE
SPG63(-1/+3)1-SB	-1/+3BAR(-14.5-42 PSI) COMPOUND VAC/GAUGE
SPG63-0.6-1-SB	0-0.6 BAR(9 PSI) PRESSURE GAUGE
SPG63-1-1-SB	0-1 BAR(14.5 PSI) PRESSURE GAUGE
SPG63-3-1-SB	0-3 BAR(43.5 PSI) PRESSURE GAUGE
SPG63-4-1-SB	0-4 BAR(58 PSI) PRESSURE GAUGE
SPG63-6-1-SB	0 - 6 BAR(90 PSI) PRESSURE GAUGE
SPG63-10-1-SB	0 - 10 BAR(145 PSI) PRESSURE GAUGE
SPG63-16-1-SB	0 - 16 BAR(230 PSI) PRESSURE GAUGE
SPG63-25-1-SB	0 - 25 BAR(360 PSI) PRESSURE GAUGE
SPG63-40-1-SB	0 - 40 BAR(580 PSI) PRESSURE GAUGE
SPG63-60-1-SB	0 - 60 BAR(850 PSI) PRESSURE GAUGE
SPG63-100-1-SB	0 - 100 BAR(1450 PSI) PRESSURE GAUGE
SPG63-160-1-SB	0 - 160 BAR(2300 PSI) PRESSURE GAUGE
SPG63-250-1-SB	0 - 250 BAR(3600 PSI) PRESSURE GAUGE
SPG63-315-1-SB	0-315 BAR(4560 PSI) PRESSURE GAUGE
SPG63-400-1-SB	0 - 400 BAR(5800 PSI) PRESSURE GAUGE
SPG63-500-1-SB	0-500 BAR(7250 PSI) PRESSURE GAUGE
SPG63-600-1-SB	0 - 600 BAR(8500 PSI) PRESSURE GAUGE
SPG63-680-1-SB	0 - 680 BAR(10000 PSI) PRESSURE GAUGE
SPG63-1000-1-SB	0 -1000 BAR(14500 PSI) PRESSURE GAUGE

100mm dia., S.S. Case, 1/2"BSPP, Dual Scale - bar/psi, Rear Entry



Code	Description
SPG100(-1+3)1-RB	-1+3 BAR(-14.5-42 PSI) COMPOUND VAC/GAUGE
SPG100-6-1-RB	0-6 BAR(90 PSI) PRESSURE GAUGE
SPG100-10-1-RB	0 - 10 BAR(145 PSI) PRESSURE GAUGE
SPG100-16-1-RB	0-16 BAR(230 PSI) PRESSURE GAUGE
SPG100-25-1-RB	0-25 BAR(360 PSI) PRESSURE GAUGE
SPG100-40-1-RB	0 - 40 BAR(580 PSI) PRESSURE GAUGE
SPG100-60-1-RB	0 - 60 BAR(850 PSI) PRESSURE GAUGE
SPG100-80-1-RB	0-80 BAR(1160 PSI) PRESSURE GAUGE
SPG100-100-1-RB	0-100 BAR(1450 PSI) PRESSURE GAUGE
SPG100-160-1-RB	0-160 BAR(2300 PSI) PRESSURE GAUGE
SPG100-250-1-RB	0 -250 BAR(3600 PSI) PRESSURE GAUGE
SPG100-315-1-RB	0 -315 BAR(4560 PSI) PRESSURE GAUGE
SPG100-400-1-RB	0 -400 BAR(5800 PSI) PRESSURE GAUGE
SPG100-600-1-RB	0-600 BAR(8500 PSI) PRESSURE GAUGE
SPG100-700-1-RB	0-700 BAR(10150 PSI) PRESSURE GAUGE
SPG100-1000-1-RB	0-1000 BAR(14500 PSI) PRESSURE GAUGE

63mm dia., S.S. Case, 1/4"BSPP, Dual Scale - bar/psi, Rear Entry



Code	Description
SPG63(-1/+0)1-RBU	-1/0 BAR(-14.5-0 PSI) COMPOUND VAC/GAUGE
SPG63(-1/+3)1-RBU	-1/+3BAR(-14.5-42 PSI) COMPOUND VAC/GAUGE
SPG63-6-1-RBU	0 - 6 BAR(90 PSI) PRESSURE GAUGE
SPG63-10-1-RBU	0 - 10 BAR(145 PSI) PRESSURE GAUGE
SPG63-16-1-RBU	0 - 16 BAR(230 PSI) PRESSURE GAUGE
SPG63-25-1-RBU	0 - 25 BAR(360 PSI) PRESSURE GAUGE
SPG63-40-1-RBU	0 - 40 BAR(580 PSI) PRESSURE GAUGE
SPG63-60-1-RBU	0 - 60 BAR(850 PSI) PRESSURE GAUGE
SPG63-100-1-RBU	0 - 100 BAR(1450 PSI) PRESSURE GAUGE
SPG63-160-1-RBU	0 - 160 BAR(2300 PSI) PRESSURE GAUGE
SPG63-250-1-RBU	0 - 250 BAR(3600 PSI) PRESSURE GAUGE
SPG63-315-1-RBU	0-315 BAR(4560 PSI) PRESSURE GAUGE
SPG63-400-1-RBU	0 - 400 BAR(5800 PSI) PRESSURE GAUGE
SPG63-500-1-RBU	0-500 BAR(7250 PSI) PRESSURE GAUGE
SPG63-600-1-RBU	0-600 BAR(8500 PSI) PRESSURE GAUGE
SPG63-680-1-RBU	0 - 680 BAR(10000 PSI) PRESSURE GAUGE
SPG63-700-1-RBU	0-700 BAR(10150 PSI) PRESSURE GAUGE
SPG63-1000-1-RBU	0 -1000 BAR(14500 PSI) PRESSURE GAUGE

63mm dia., S.S. Case, 1/4"BSPP, Dual Scale - kpa/psi, Stem Mount



Code	Description
SPG63-100/0-10-SB	-100/+0 KPA(-14.5/+0PSI) COMPOUND VAC/GAUGE
SPG63-60-10-SB	0-60 KPA (9 PSI) PRESSURE GAUGE
SPG63-100-10-SB	0-100 KPA (14.5 PSI) PRESSURE GAUGE
SPG63-250-10-SB	0-250 KPA (360 PSI) PRESSURE GAUGE
SPG63-600-10-SB	0-600 KPA (850 PSI) PRESSURE GAUGE
SPG63-1000-10-SB	0-1000 KPA (145 PSI) PRESSURE GAUGE
SPG63-1600-10-SB	0-1600 KPA (230 PSI) PRESSURE GAUGE
SPG63-2500-10-SB	0-2500 KPA (360 PSI) PRESSURE GAUGE
SPG63-4000-10-SB	0-4000 KPA (580 PSI) PRESSURE GAUGE
SPG63-10000-10-SB	0-10000 KPA (1450 PSI) PRESSURE GAUGE
SPG63-25000-10-SB	0-25000 KPA (3650 PSI) PRESSURE GAUGE
SPG63-31500-10-SB	0-31500 KPA (4560 PSI) PRESSURE GAUGE
SPG63-50000-10-SB	0-50000 KPA(7250 PSI) PRESSURE GAUGE
SPG63-100000-10-SB	0-100000 KPA (14500 PSI) PRESSURE GAUGE

100mm dia., S.S. Case, 1/2"BSPP, Dual Scale - bar/psi, Bottom Entry, Stem Mount



Code	Description
SPG100-6-1-SB	0-6 BAR(90 PSI) PRESSURE GAUGE
SPG100-10-1-SB	0 - 10 BAR(145 PSI) PRESSURE GAUGE
SPG100-16-1-SB	0-16 BAR(230 PSI) PRESSURE GAUGE
SPG100-25-1-SB	0-25 BAR(360 PSI) PRESSURE GAUGE
SPG100-40-1-SB	0 - 40 BAR(580 PSI) PRESSURE GAUGE
SPG100-60-1-SB	0 - 60 BAR(850 PSI) PRESSURE GAUGE
SPG100-100-1-SB	0 -100 BAR(1450 PSI) PRESSURE GAUGE
SPG100-160-1-SB	0 -160 BAR(2300 PSI) PRESSURE GAUGE
SPG100-250-1-SB	0-250 BAR(3600 PSI) PRESSURE GAUGE
SPG100-315-1-SB	0-315 BAR(4560 PSI) PRESSURE GAUGE
SPG100-400-1-SB	0 -400 BAR(5800 PSI) PRESSURE GAUGE
SPG100-600-1-SB	0 -600 BAR(8500 PSI) PRESSURE GAUGE
SPG100-680-1-SB	0-680 BAR(9860 PSI) PRESSURE GAUGE
SPG100-700-1-SB	0-700 BAR(10150 PSI) PRESSURE GAUGE
SPG100-1000-1-SB	0-1000 BAR(14500 PSI) PRESSURE GAUGE

63mm dia., S.S. Case, 1/4"BSPP, Dual Scale - kpg/psi, Rear Entry



Code	Description
SPG63-100/+0-10-RBU	-100/+0 KPA(-14.5/+0PSI) COMPOUND VAC/GAUGE
SPG63(-100+300)10-RBU	-100/+300KPA/PSI COMP/VAC PRESS GAUGE/RE
SPG63-60-10-RBU	0-60 KPA (9 PSI) PRESSURE GAUGE
SPG63-100-10-RBU	0-100 KPA (14.5 PSI) PRESSURE GAUGE
SPG63-250-10-RBU	0-250 KPA (360 PSI) PRESSURE GAUGE
SPG63-600-10-RBU	0-600 KPA (850 PSI) PRESSURE GAUGE
SPG63-1000-10-RBU	0-1000 KPA (145 PSI) PRESSURE GAUGE
SPG63-1600-10-RBU	0-1600 KPA (230 PSI) PRESSURE GAUGE
SPG63-2500-10-RBU	0-2500 KPA (360 PSI) PRESSURE GAUGE
SPG63-4000-10-RBU	0-4000 KPA (580 PSI) PRESSURE GAUGE
SPG63-10000-10-RBU	0-10000 KPA (1450 PSI) PRESSURE GAUGE
SPG63-31500-10-RBU	0-31500 KPA (4560 PSI) PRESSURE GAUGE
SPG63-100000-10-RBU	0-100000 KPA (14500 PSI) PRESSURE GAUGE

Gauge Accessories



Panel Mount Bracket

Code	Description
SPG63-BR	BRACKET - 63MM PANEL MOUNT GAUGE
SPG100-BR	BRACKET - 100MM PANEL MOUNT GAUGE



Front Flange Bezel

Code	Description
SPG63-F	FLANGE - 63MM PANEL MOUNT GAUGE
SPG100-F	FLANGE - 100MM PANEL MOUNT GAUGE



Gauge Protector

Code	Description
SPG-63-RGP	RUBBER GAUGE PROTECTOR

Gauge Swivel Adaptors with O-Ring Seal



Code	Description
FT299/88	GAUGE ADAPT.(SW)1/8BSPP(F)-1/8BSPT(M)
FT299/44	GAUGE ADAPT.(SW)1/4BSPP(F)-1/4BSPT(M)
FT299/42	GAUGE ADAPT.(SW)1/4BSPP(F)-1/2BSPT(M)
FT299/24S	GAUGE ADAPT.(SW)1/2BSPP(F)-1/4BSPT(M)
FT299/24B	GAUGE ADAPT.(SW) 1/2 BSPP(F)-1/4 BSPP(M)
FT299/22	GAUGE ADAPT.(SW)1/2BSPP(F)-1/2BSPT(M)



Gauge Isolator Valves

Code	Description
SWS-B04-S	VALVE,ISOLATOR-SINGLE STN GAUGE
SWS-B04-M	VALVE,ISOLATER-MULTI STN GAUGE

* Multi-station suits 6 gauge points



Gauge Saver - GSB P. max - 138 Bar (2000 PSI)

Code	Description
GSB-1	1/4" BSP BRASS GAUGE SAVER COMPLETE
GSB-3	3/8" BSP BRASS GAUGE SAVER COMPLETE
GSB-5	1/2" BSP BRASS GAUGE SAVER COMPLETE

Digital Pressure Gauges

- +0.5% full scale accuracy
- Measurement of pressure peaks with 10ms-sample rate
- Operating temperature: -10°C...50°C (14...122°F)
- Back lighted display
- Battery-life indicator 1.500 hours (2x1.5 V battery)
- Pressure Connection G 1/4 BSPP (stainless steel)
- Zinc die cast housing with TPE protective cover
- Available Units (display): bar, PSI, Mpa, kPa, mbar



Digital Pressure Gauges

Code	Description
SPG-DIGI-B0016	-1 -+16 BAR(-14.5-+230)PSI DIGITAL GAUGE
SPG-DIGI-B0100	0-100 BAR (0-1450)PSI DIGITAL GAUGE
SPG-DIGI-B0400	0-400 BAR(0-5800)PSI DIGITAL GAUGE
SPG-DIGI-B0600	0-600 BAR (0-8700)PSI DIGITAL GAUGE



Digital Pressure Test Kits

Code	Description
SMB20/80-1-DIGI-X	PLASTIC BOX,1 GAUGE 80MM TEST 20 FITTING
SMB12/80-1-DIGI-X	PLASTIC BOX,1 GAUGE 80MM TEST 12 FITTING

Other Pressure Gauges Available on Request

Order Code - Stainless Steel Pressure Gauges

SPG	63	160	1	R	B	U	
Size				Connection		Thread Form	
63	63 mm face			S = Stem mount R = Panel mount		B04	1/4" BSPP (63 mm face)
100	100 mm face					B08	1/2" BSPP (100 mm face)
Pressure Range						N04	1/4" NPT (63 mm face)
Standard-Pressure will be indicated in the relevant catalogues						N08	1/2" NPT (100 mm face)
STANDARD FORMAT: 5 Digits only end value - reference to outside scale						Specials available on request	
Other values for vacuum gauges to be created as follows: Indicate BEGINNING and END (e.g: <<(-1)-00160>>						T04	1/4" BSPT (63 mm face)
						U04	7/16-20-UNF (063 mm face)
						M14	M14x1.5 (63 mm face)
						Normally Stocked	
Scale Design						Accessories <small>(U/F only for panel mount option)</small>	
1	BAR / PSI	BAR outside / PSI inside - standard				omit	none
2	BAR	BAR - Scale				U	U-bracket
3	PSI	PSI - Scale				F	Front flange
4	KGM / PSI	kg/cm ² outside / PSI inside				R	Rear flange
5	PSI / BAR	PSI outside / BAR inside				UF	U-bracket & Front flange
6	MPa	MPa - Scale				Logo	
7	MPa / PSI	MPa outside / PSI inside				none = STAUFF (standard) Private label available on request	
8	MPa / KGF / CM ²	MPa outside / kg/cm ² inside				Pressure information always refers to setting of the outside scale.	
9	KGF / CM ² / MPa	kg/cm ² outside / MPa inside					
10	KPa / PSI	KPa outside / PSI inside					
11	BAR / MPa	BAR outside / MPa inside					
12	BAR / KPa	BAR outside / KPa inside					
13	KPa	KPa - Scale					
14	mbar	mbar - Scale					
Type							
SPG	s/steel pressure gauge						

Scale "1" = Normally stocked
Scale "10" = Normally stocked

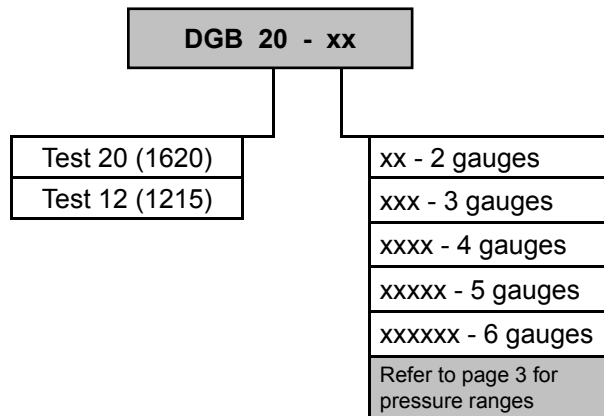
Metal Case Test Kits



Test Hose included in Kit

Metal gauge boxes are available with 2, 3, 4, 5 & 6 gauges in a standard metal box which carries test hoses in the base. Compartments available to store Test couplings and adaptors sold separately. The top can be slipped off the hinges for hanging close to the test point by the top mounted handle. The test boxes use the SPG series of gauges and therefore the pressure ranges need to be selected from page 3. Either Stauff Test 20 or Stauff Test 12 can be selected as the means connection.

Ordering Code



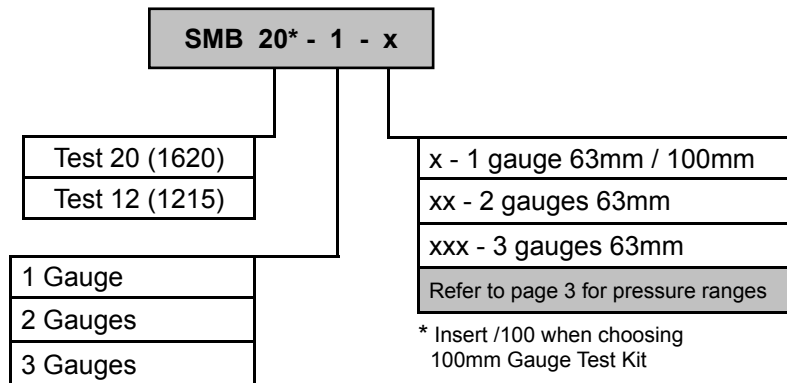
Plastic Case Test Kits - Hand Held Gauges



Plastic Case Test Kit - 63mm Gauge

Plastic gauge boxes are available with 1, 2 & 3 63mm gauges and 1 gauge in 100mm, in a standard plastic box which carries test points and hoses in the base. The test boxes use the SPG series of gauges and therefore the pressure ranges need to be selected from page 3. Stauff Test 20 or Test 12 can be selected as the means connection.

Ordering Code



* Insert /100 when choosing 100mm Gauge Test Kit



Plastic Case Test Kit -100mm Gauge

Contents 1 Gauge Box

- 1 - SMS20-2000A test hose 2m long
- 1 - Pressure Gauge 63mm dia (selected)
- 1 - SMA20G1/4P-OR gauge to hose adaptor
- 1 - SMD20G1/4P-OR direct gauge adaptor
- 1 - SMK20G1/4PC test coupling (1/4"BSPP)
- 1 - SMK20M10X1PA test coupling (M10x1)
- 1 - SRS20G3/8 thread adaptor 3/8"BSP
- 1 - SRS20G1/2 thread adaptor 1/2"BSP

Contents 2 Gauge Box

- 1 - SMS20-2000A test hose 2m long
- 2 - Pressure Gauge 63mm dia (selected)
- 1 - SMA20G1/4P-OR gauge to hose adaptor
- 1 - SMD20G1/4P-OR direct gauge adaptor
- 1 - SMK20G1/4PC test coupling (1/4"BSPP)
- 1 - SMK20M10X1PA test coupling (M10x1)
- 1 - SRS20G3/8 thread adaptor 3/8"BSP
- 1 - SRS20G1/2 thread adaptor 1/2"BSP

Contents 3 Gauge Box

- 2 - SMS20-2000A test hose 2m long
- 3 - Pressure Gauge 63mm dia (selected)
- 1 - SMA20G1/4P-OR gauge to hose adaptor
- 2 - SMD20G1/4P-OR direct gauge adaptor
- 3 - SMK20G1/4PC test coupling (1/4"BSPP)
- 3 - SMK20M10X1PA test coupling (M10x1)
- 1 - SRS20G3/8 thread adaptor 3/8"BSP
- 1 - SRS20G1/2 thread adaptor 1/2"BSP



Australia

STAUFF CORPORATION PTY LTD

HEAD OFFICE

24 - 26 Doyle Avenue
UNANDERRA NSW 2526
P.O.Box 227
UNANDERRA NSW 2526
Ph: (02) 4271 1877
Fax: (02) 4271 8432
E-mail: info@stauff.com.au
www.stauff.com.au

SYDNEY

27B Davis Road
WETHERILL PARK
NSW 2164
P.O. Box 7180
WETHERILL PARK DC
NSW 2164
Ph: (02) 9725 2733
Fax: (02) 9725 2744



Quality
Endorsed
Company
ISO 9001 Lic3765
SAI Global

MELBOURNE

3B 14 - 16 White Street
OAKLEIGH EAST VIC 3166
P.O. Box 453
MULGRAVE VIC 3170
Ph: (03) 9543 5411
Fax: (03) 9543 5422

BRISBANE

463 Boundary Road
RICHLANDS QLD 4077
P.O. Box 20
RICHLANDS QLD 4077
Ph: (07) 3217 0444
Fax: (07) 3217 0300

ADELAIDE

1/3 Endeavour Drive
PORT ADELAIDE SA 5015
P.O. Box 208
PORT ADELAIDE SA 5015
Ph: (08) 8341 2260
Fax: (08) 8341 1604



New Zealand

STAUFF CORPORATION (NZ) LTD

AUCKLAND

Unit D 103 Harris Road
EAST TAMAKI
P.O. Box 58517
GREENMOUNT
Ph: (09) 271 4812
Fax: (09) 271 4832
E-mail: sales@stauff.co.nz
www.stauff.com

Distributed by:

